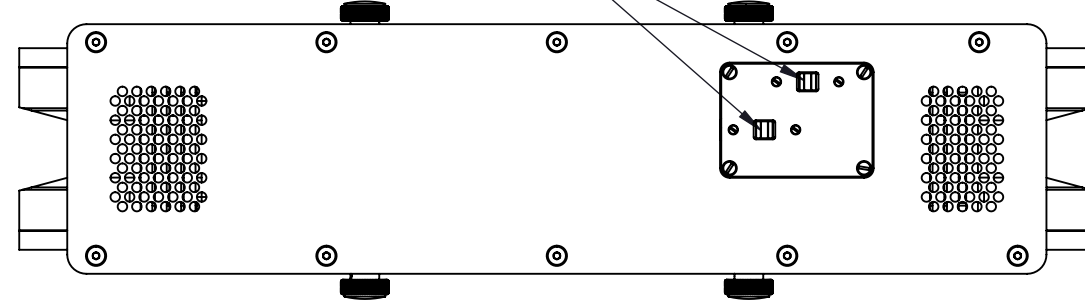
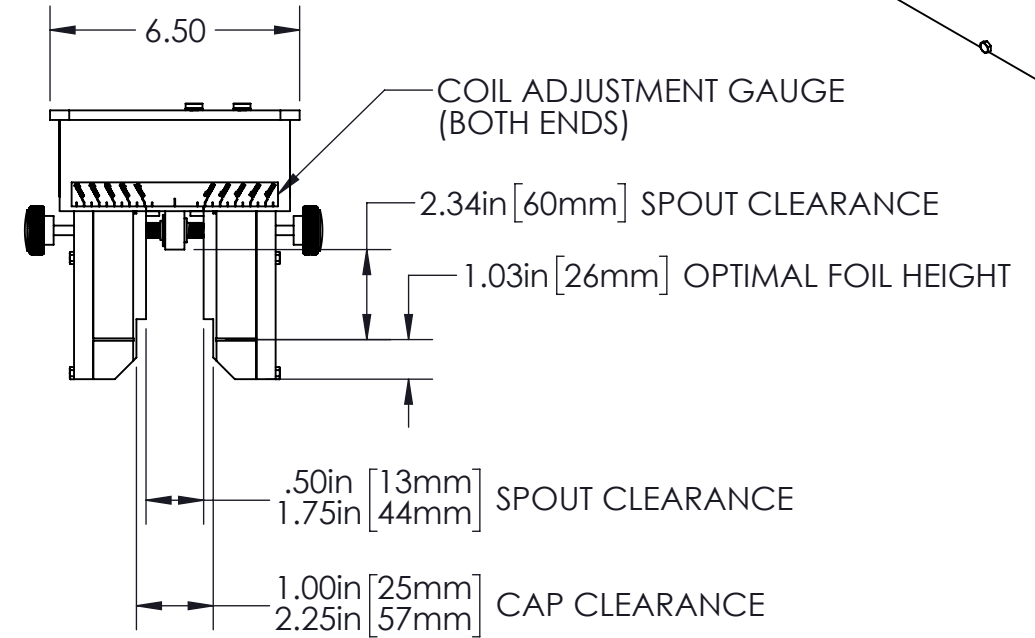
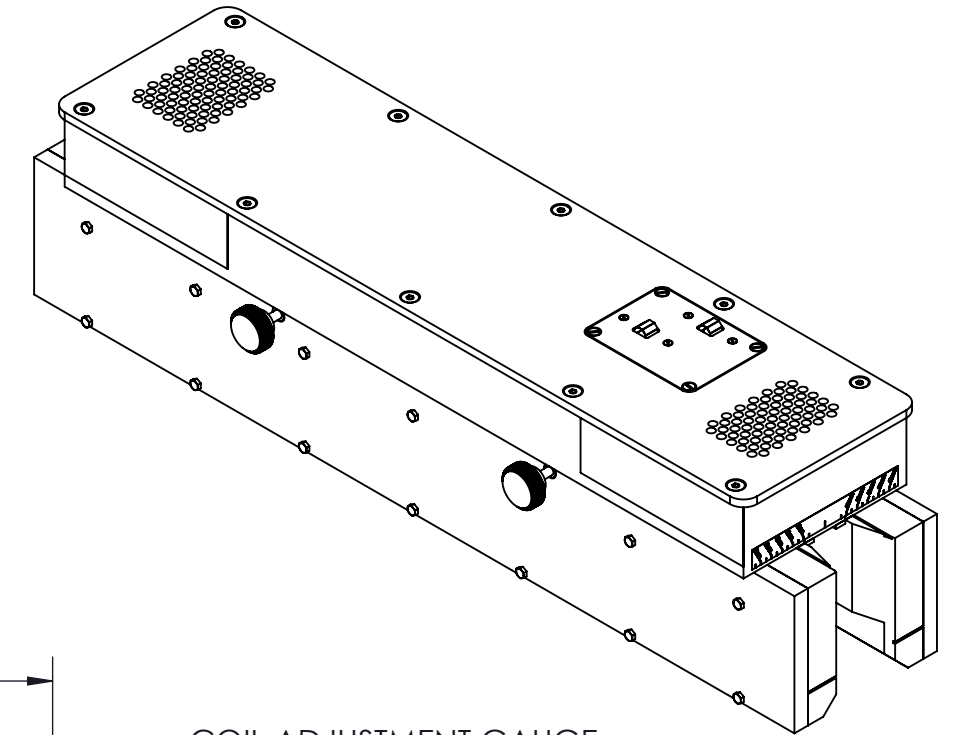
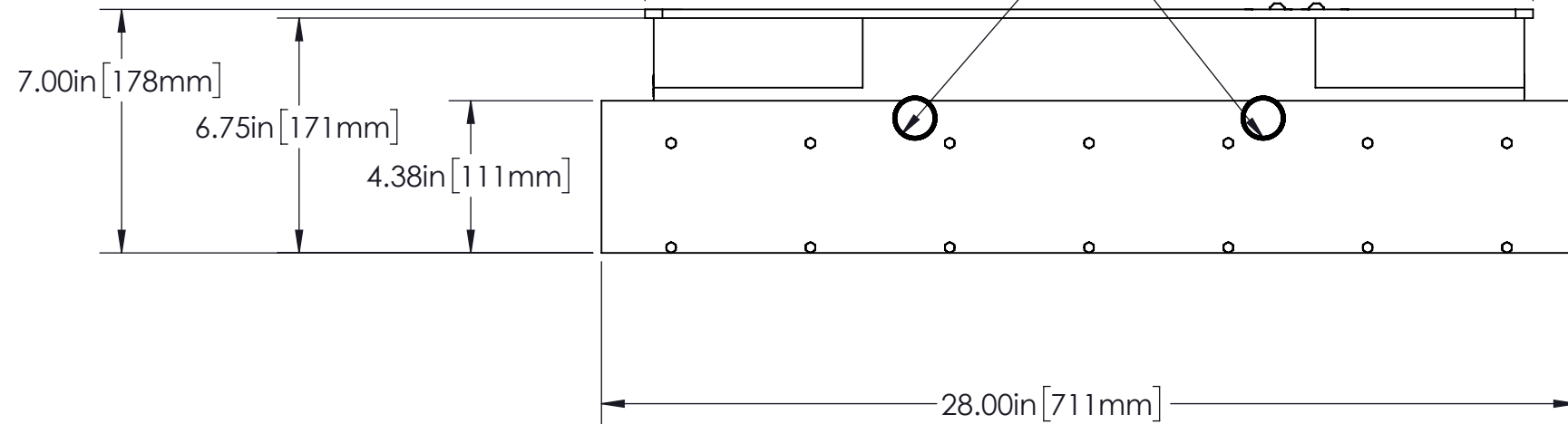


HANDS FREE POWER CONNECTION



25.50in [648mm]

COIL WIDTH ADJUSTMENT KNOBS



THIS PRINT IS THE PROPERTY OF
PILLAR TECHNOLOGIES

AND IS LOANED TO THE RECIPIENT SUBJECT TO
RETURN UPON DEMAND. ITS CONTENTS ARE
CONFIDENTIAL AND MUST NOT BE COPIED OR
SUBMITTED TO OUTSIDE PARTIES FOR
USE OR EXAMINATION



475 INDUSTRIAL DRIVE HARTLAND, WI 53029 (262) 912-7200

UNLESS OTHERWISE SPECIFIED
DIMENSIONS ARE IN INCHES
FRACTIONS $\pm \frac{1}{32}$ ANGLES $\pm 1^\circ$
.00 \pm .02 .000 \pm .005 .0000 \pm .0005

MATL

SPEC

FINISH

SPEC

REV	DESCRIPTION	APP'D	DATE
A	TUNNEL WAS CHANNEL	RAK	4/12/2021
REVISIONS			

REF DWGS	
FIRST USED ON	
DATE	DRAWN BY
9-26-18	RAK
TITLE	
OUTLINE DRAWING INFINITY TUNNEL COIL SIZE-1 MANUAL ADJUST	
DWG NO	REV
G2108-31	A
SCALE	SHEET 1 OF 1
1:5	